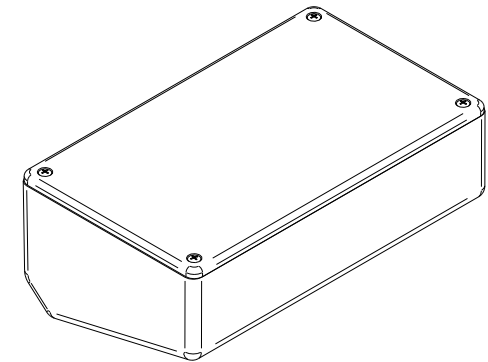
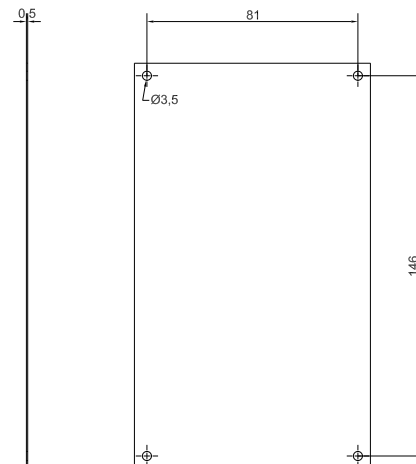
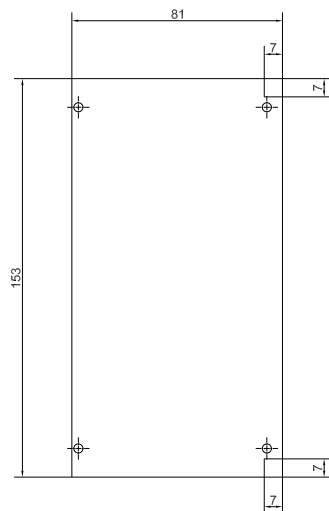
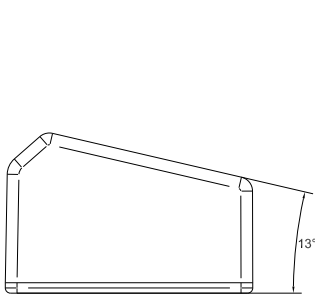


PCB MAX SIZE



	Description Assembly 115TP	Part Number 115TP
	Subject to technical modification without prior notice. Tipographical and other errors do not justify any claim for damages. All dimensions should be verified using an actual moulded part.	
	Date 14/12/2005	Scale A1